

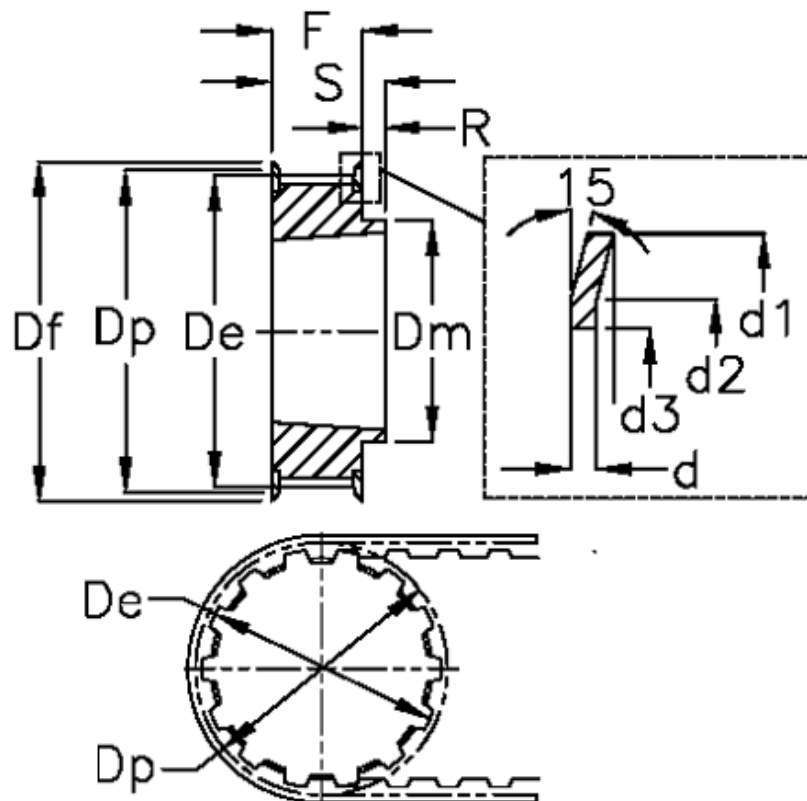
Data Sheet



Article number: 604130056015

Description: Taper bored timing belt pulley
HTD 56 5M 15 TL 1210

Measures



d = 1	F = 22	Weight = -
d1 = 93	Flange type = F32	Width = 15
d2 = 89	For bushing = 1210	
d3 = 80	Max bore = 32	
De = 87.39	r = 3	
Df = 93	S = 25	
Dm = 70	Tooth number = 56	
Dp = 89.13	Type = 5M	